

Gillison's Variety Fabrication, Inc.

Manufacturers of quality farm equipment since 1977.



4000 4WD ROUGH TERRAIN FORKLIFT

NEW - Compact, fast machine designed for working in narrow rows and tight spaces. It's rugged and operates smoothly. It's small - yet it has all of the features, power and speed of the larger GVF lifts.

- Kohler, Tier IV, Turbo Diesel Engine
- 4 wheel drive
- See through mast
- 42" carriage with 6 rollers
- 8" side shift in carriage
- 4 flood lights - 2 front, 2 rear
- LED direction indicator lights
- LED warning flasher lights
- Backup alarm
- Horn
- SMV emblem
- Tilt and telescoping steering column
- Suspension seat
- Engine pre cleaner
- Grid heater for cold start
- Vertical exhaust
- Rear view mirror
- 4 section hydraulic valve
- Painted with high quality urethane paint
- Options:
 - Warning beacon
 - Bin clamp
 - Bin dumper
 - Rear fender
 - Transmission brake
 - Load backrest

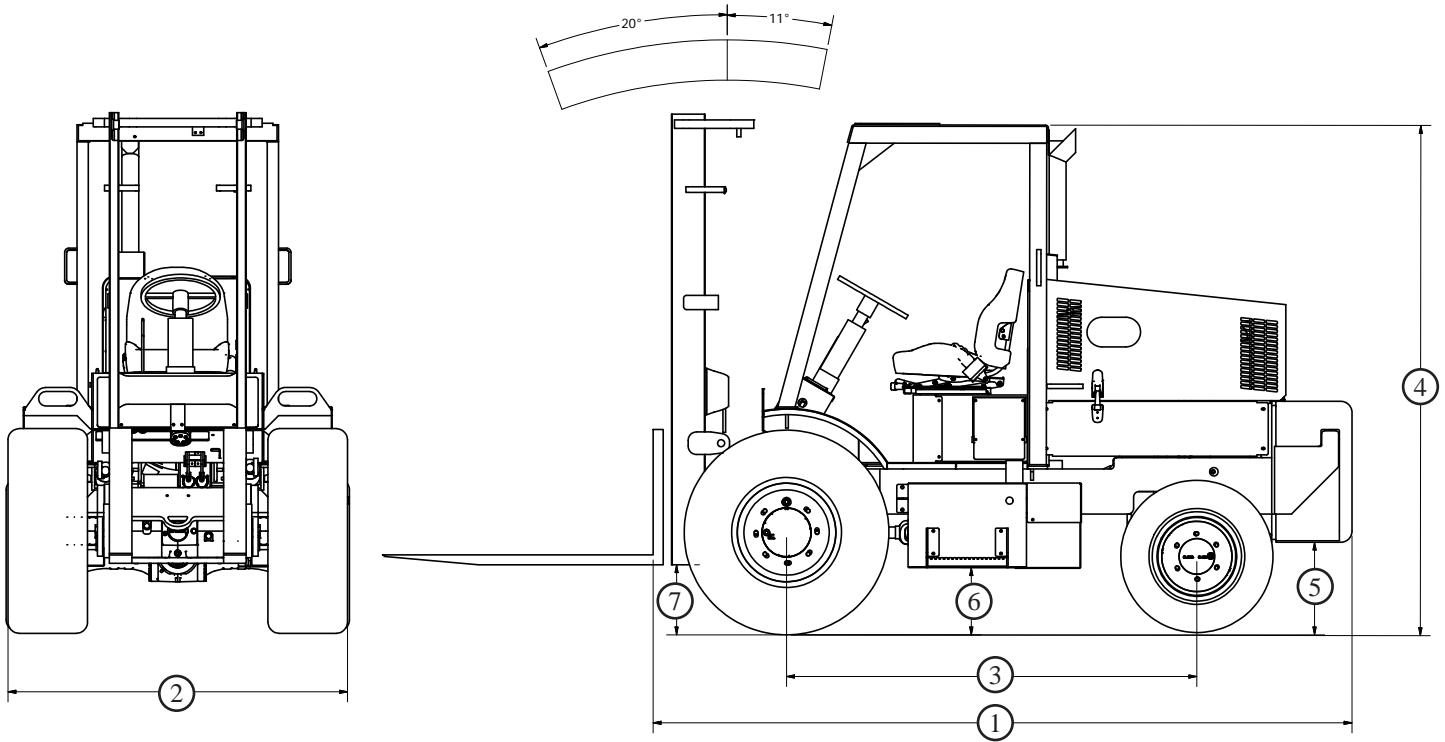
GVF 4000 has a compact design with serviceability still in mind. The hood flips up 90° and the side panels remove to allow access to everything on the engine. Easily access the transmission and hydraulic components just by simply removing covers.



GVF 4000 - Compact design to navigate narrow rows and tight spaces.



Side by side comparison shows just how compact the GVF 4000 really is.



SPECIFICATIONS	Drawing Reference Number	GVF 4000
Overall length (without forks)	1	10' 4"
Overall width	2	60"
Wheel base	3	72"
Height to top overhead guard	4	90"
Clearance under counterweight	5	16.5"
Transmission clearance	6	12"
Clearance under mast	7	12"
Weight		9,100 lbs.
Lift capacity @ 24" load center		4,000 lbs.
Mast tilt forward		20°
Mast tilt rearward		11°
Mast side shift		8"
Outside turning radius		12'
Standard lift height		10'
Travel speed		20 MPH
Tire Size	Drive: 14-17.5, 10 ply Steer: 27 x 10.5-15, 8 ply	
Steering	Load sense power steering 2.5 turns lock to lock	

Engine Manufacturer & Model	Kohler, Tier IV, Turbo Diesel Engine, 72 HP
Cylinders	4
Fuel system	Electronic Common Rail
Engine gross HP	72 @ 2400 RPMs
Peak torque	221 lb/ft @ 1500 RPMs
Start aid cold weather	Grid heater
Transmission	<ul style="list-style-type: none"> • 3-speed power shift • Power shuttle • Hydraulic disconnect 4WD-2WD
Fuel tank capacity	17 gallons
Front Axle	<ul style="list-style-type: none"> • Service Brake :Hydraulic wet disc with turning brakes. • Parking Brake: Spring applied hydraulic release. • Differential Lock: Hydraulic applied
Rear Axle	4WD, 20° oscillation
Hydraulic pump	16 GPM @ 2400 RPMs
Control valve	4 section, 1 aux
System pressure	2500 psi
Electrical	
Voltage	12 volt
Alternator	100 amp
Battery rating	800 cca