

Gillison's



ROUGH TERRAIN FORK LIFT GVF 5000, 6000, 8000

Manufacturer of Quality Farm Equipment Since 1977

Standard Features Include:

- See through mast
- 48" carriage with 6 rollers and load backrest
- 8" side shift in carriage
- 4 Flood lights - 2 front, 2 rear
- LED direction indicator lights
- LED warning flasher lights
- Backup alarm
- Horn
- SMV emblem
- Tilt and telescoping steering column
- Suspension seat
- Engine pre cleaner
- Down exhaust
- Rear view mirror
- 4 section hydraulic valve with internal unloader and 1 auxiliary section
- 150 cu. in. tool box
- Painted with high quality Imron paint
- **Options:**
 - 2 or 4 wheel drive
 - Grid heater for cold start
 - Warning beacon
 - Bin clamp
 - Bin dumper
 - Rear Fender
 - Front Fender Extensions
 - Transmission Brake



GVF 8000

Unmatched Versatility & Dependability

Faster Cycle Speeds and More Power than the competition!



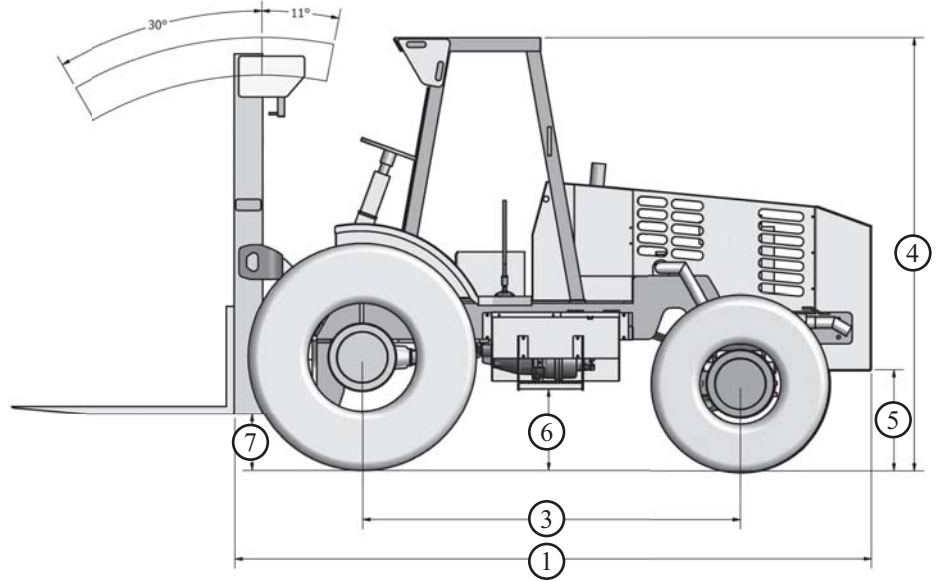
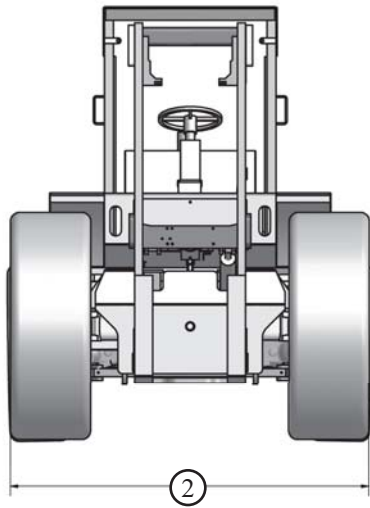
GVF 5000 shown with GVF Bin Dumper



GVF 5000

Gillison's Variety
Fabrication, Inc.

3033 Benzie Hwy. Benzonia, MI 49616 (231) 882-5921 (800) 392-6059 www.gillisons.com



SPECIFICATIONS		Drawing Reference Number	GVF 5000	GVF 6000	GVF 8000
Overall length (without forks)		1	144"	144"	158"
Overall width		2	80"	80"	87"
Wheel base		3	84"		
Height to top overhead guard		4	102"		
Clearance under counterweight		5	17"		
Transmission clearance		6	18"		
Clearance Under Mast		7	13"		
Weight			12,000 lbs.	13,000 lbs.	16,190 lbs.
Lift Capacity @ 24" load center			5,000 lbs.	6,000 lbs.	8,000 lbs.
Mast tilt forward			30°	30°	25°
Mast tilt rearward			11°	11°	12°
Mast side shift			8"		
Outside turning radius			12'		
Lift height Std.			12'		
Travel Speed			18.5 MPH		
Tire Size	GVF 5000 & 6000: Drive: 16.9-24, 10 ply, R4 Steer: 12.5-80R-18, 10 ply, R4		GVF 8000: Drive: 19.5L-24, 10 ply, R4 Steer: 12.5-80R-18, 10 ply, R4		
Steering	Load Sense power steering, 2.5 turns lock to lock				

Engine Manufacturer & Model	JCB 444 NA Diesel
Cylinders	4
Fuel system	Rotary Mechanical
Engine Gross HP	84.5 @ 2200 RPMs
Peak torque	236 lb/ft @ 1200 RPMs
Start aid cold weather	Grid heater
Transmission	4-speed synchro-shuttle
Fuel tank capacity	25 gallons
Parking Brake	External disc
Front Axle	Self locking torque proportioning differential internal wet disc brake
Rear Axle - 4 WD	Self locking torque proportioning differential 20° oscillation
Hydraulics Pump	24 gpm @ 2200 RPMs
Control valve	4 section, 1 aux
System pressure	2500 psi
Electrical	
Voltage	12 volt
Alternator	95 amp
Battery Rating	950 cca

2 or 4 wheel drive models available.