

Gillison's Variety Fabrication, Inc.

Manufacturers of quality farm equipment since 1977.

GVF ROUGH TERRAIN FORKLIFTS

GVF Rough Terrain Forklifts are fast, powerful machines that operate smoothly. Available in three models in either 2 WD or 4 WD. These lifts get the job done quickly and comfortably.

- Available in three models
- Tier III Turbo JCB engine
- See through mast
- 48" carriage with 6 rollers
- 8" side shift in carriage
- 4 Flood lights - 2 front, 2 rear
- LED direction indicator lights
- LED warning flasher lights
- Backup alarm
- Horn
- SMV emblem
- Tilt and telescoping steering column
- Suspension seat
- Engine pre cleaner
- Down or vertical exhaust
- Rear view mirror
- 4 section hydraulic valve
- 150 cu. in. tool box
- Painted with high quality urethane paint
- Options:
 - 2 or 4 wheel drive
 - Grid heater for cold start
 - Warning beacon
 - Bin clamp
 - Bin dumper
 - Rear fender
 - Front fender extensions
 - Transmission brake
 - Load backrest



New ESO-MS Mast offers better visibility.



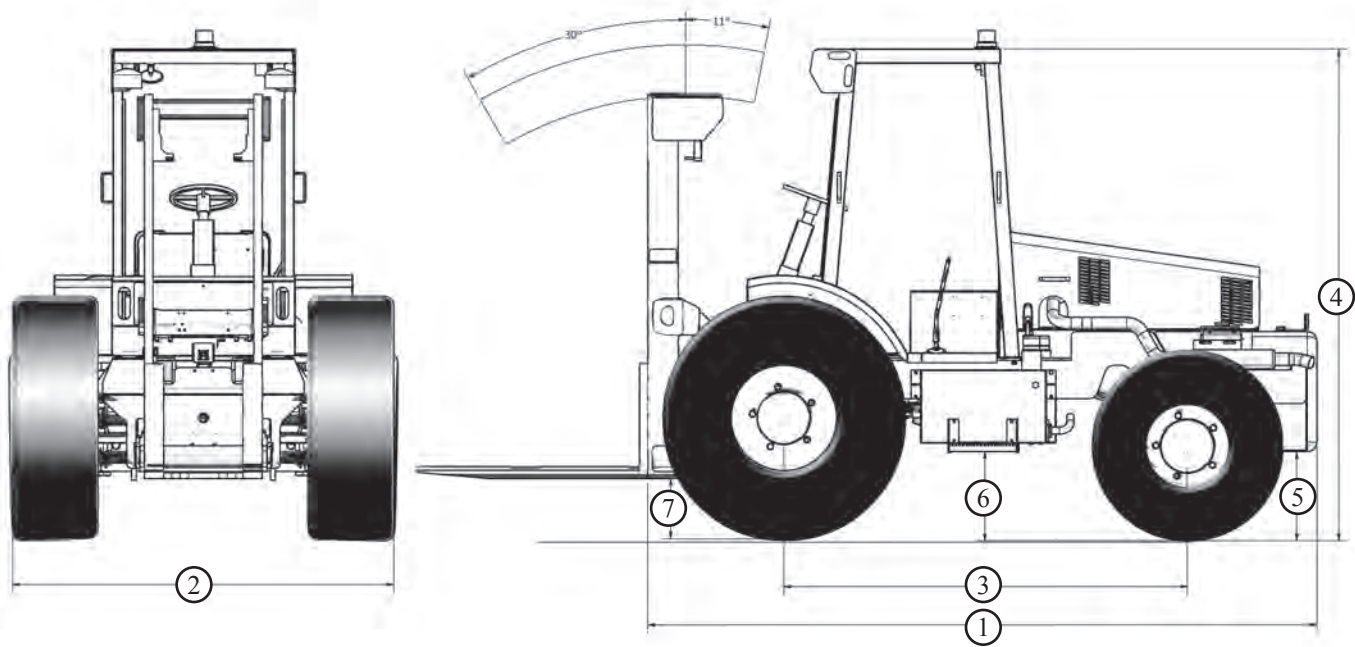
GVF 5000 Tier III Turbo



GVF 5000 shown with GVF Bin Dumper



GVF 5000 Tier III Turbo



SPECIFICATIONS	Drawing Reference Number	GVF 5000	GVF 6000	GVF 8000
Overall length (without forks)	1	139.5"	139.5"	158"
Overall width	2	80"	80"	87"
Wheel base	3	84"		
Height to top overhead guard	4	102"		
Clearance under counterweight	5	18.5"		
Transmission clearance	6	18.5"		
Clearance under mast	7	13"		
Weight		12,000 lbs.	13,000 lbs.	16,190 lbs.
Lift capacity @ 24" load center		5,000 lbs.	6,000 lbs.	8,000 lbs.
Mast tilt forward		30°	30°	25°
Mast tilt rearward		11°	11°	12°
Mast side shift		8"		
Outside turning radius		12'		
Standard lift height		12'		
Travel speed		18.5 MPH		
Tire Size	GVF 5000 & 6000: Drive: 16.9-24, 10 ply, R4 Steer: 12.5-80R-18, 10 ply, R4	GVF 8000: Drive: 19.5L-24, 10 ply, R4 Steer: 12.5-80R-18, 10 ply, R4		
Steering	Load sense power steering, 2.5 turns lock to lock			

Engine Manufacturer & Model	JCB 444 Tier III Mechanical Diesel
Cylinders	4
Fuel system	Rotary mechanical
Engine gross HP	84.5 @ 2200 RPMs
Peak torque	236 lb/ft @ 1200 RPMs
Start aid cold weather	Grid heater
Transmission	4-speed synchro-shuttle
Fuel tank capacity	25 gallons
Parking brake	External disc
Front axle	Self locking torque proportioning differential internal wet disc brake
Rear axle	4 wd self locking torque proportioning differential 20° oscillation
Hydraulic pump	24 gpm @ 2200 RPMs
Control valve	4 section, 1 aux
System pressure	2500 psi
Electrical	
Voltage	12 volt
Alternator	95 amp
Battery rating	950 cca

2 or 4 wheel drive models available.