

# Gillison's



## GVF FORWARD BIN DUMPER

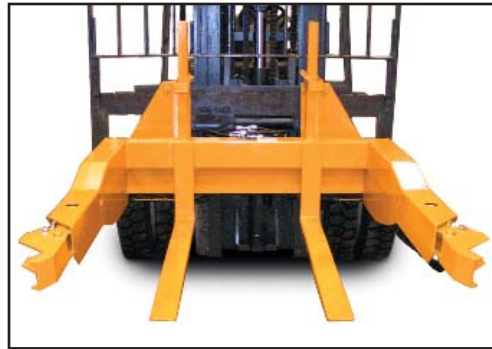
*Manufacturer of Quality Farm Equipment Since 1977*

### Standard Features Include:

- Heavy duty construction
- Fast, smooth forward dumping action
- Excellent visibility
- 135° Tilt forward
- Adjustable bin heights
- Clamp and dump all sequenced requiring one valve function to do everything
- Works with class I, II, & III carriage mounts

### Options

- Custom bin dimensions



**48" wide**

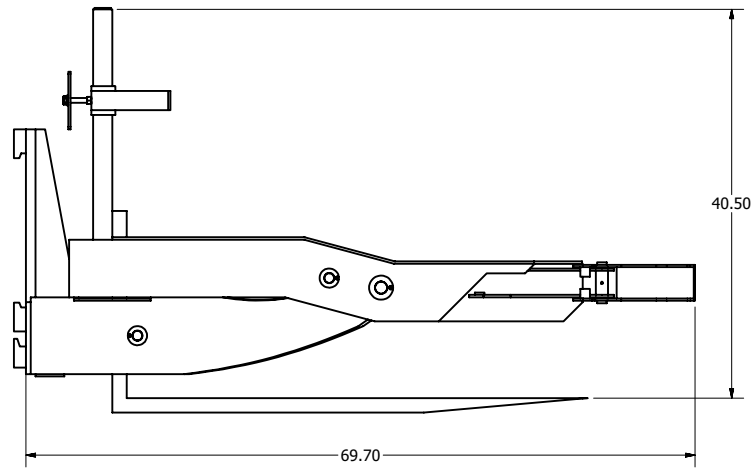
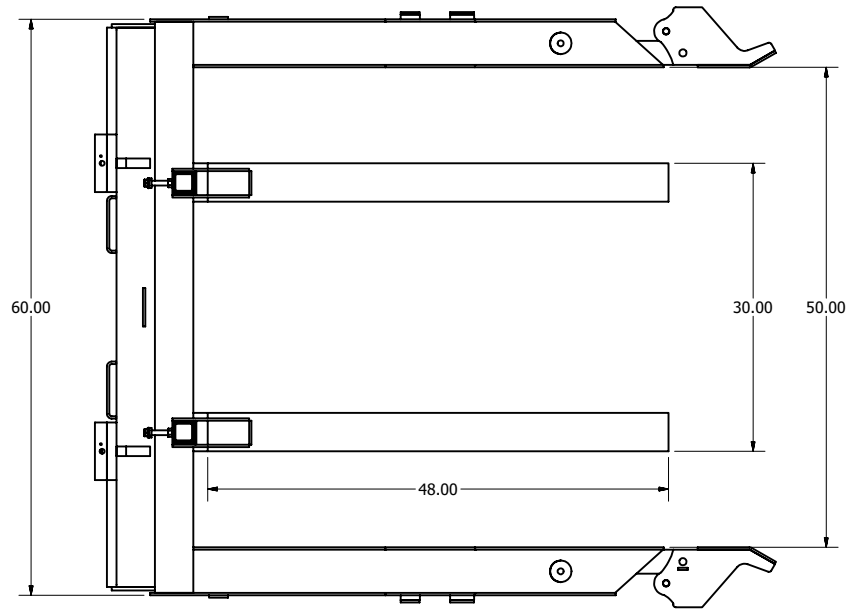
**Designed to Handle and  
Dump Agricultural Bins**

**Unmatched Versatility  
& Dependability**



**Gillison's** Variety  
Fabrication, Inc.

3033 Benzie Hwy. Benzonia, MI 49616 (231) 882-5921 (800) 392-6059 [www.gillisons.com](http://www.gillisons.com)



Dimensions of the Forward Bin Dumper